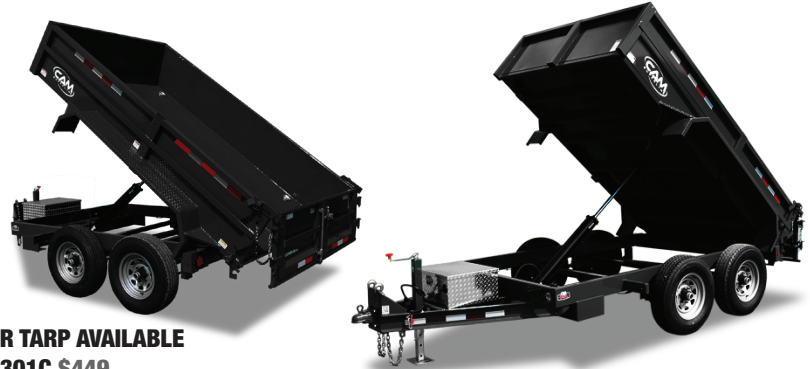


LOW PROFILE DUMP DUMP TRAILERS

Call for Pricing

Features

Tubular Main Frame	Adjustable 2-5/16" Ball Coupler or Pintle
10 Gauge Floor	Silver Wheels
12 Gauge Sides	110V Battery Maintainer
Diamond Plate Fenders	12-Volt Deep Cycle Battery
EZ Lube Axles	Safety Chains
Slipper Spring Suspension	Sealed Wiring Harness
Tie Down Rail	Spare Tire Mount
2" x 4" Full Height Stake Pockets	7-Way SAE Plug
Triple Acting Tailgate w/Chains	Charge Wire with Circuit Breaker
Electric Brakes (2) Axles	Breakaway Switch
Remote Control with 20' Cord	Epoxy Primer
LED Lights – Rubber Mounted	Black Polyurethane Paint Finish
Aluminum Battery Box	Color (standard): Black
7K Bolt-on Drop Leg Jack	Three Year Warranty



**ROLLER TARP AVAILABLE
#ST30301C \$449**

MODEL	GVWR	CURB WEIGHT	PAYLOAD	BED LENGTH	BED WIDTH
P5CAM612LPD	11960	2820	9140	12'	72.5"

HIGH PROFILE DUMP DUMP TRAILERS

Call for Pricing

Features

Tubular Main Frame	Adjustable 2-5/16" Ball Coupler or Pintle
10 Gauge Floor	Silver Wheels
12 Gauge Sides	110V Battery Maintainer
Diamond Plate Fenders	12-Volt Deep Cycle Battery
EZ Lube Axles	Safety Chains
Slipper Spring Suspension	Sealed Wiring Harness
Tie Down Rail	Spare Tire Mount
2" x 4" Full Height Stake Pockets	7-Way SAE Plug
Triple Acting Tailgate w/Chains	Charge Wire with Circuit Breaker
Electric Brakes (2) Axles	Breakaway Switch
Remote Control with 20' Cord	Epoxy Primer
LED Lights – Rubber Mounted	Black Polyurethane Paint Finish
Aluminum Battery Box	Slide Out Ladder Ramps
7K Bolt-on Drop Leg Jack	Three Year Warranty



**ROLLER TARP AVAILABLE
#ST30301C \$449**

MODEL	GVWR	CURB WEIGHT	PAYLOAD	BED LENGTH	BED WIDTH
P5CAM612LPD H SIDE	11960	2820	9140	12'	72.5"

HD LOW PROFILE DUMP DUMP TRAILERS

Call for Pricing

Features

Tubular Main Frame	110V Battery Charger
10 Gauge Floor	Aluminum Lockable Pump Box
12 Gauge Sides	7K Bolt-on Drop Leg Jack
Diamond Plate Fenders	Sealed Wiring Harness
EZ Lube Axles	Storage Tray
Nev-R-Adjust Brakes	Slide Out Ladder Ramps (6')
Oil Bath Axles (8 Ton Models Only)	102" Width
Slipper Spring Suspension	LED Lights – Rubber Mounted
Tie Down Rail	Breakaway Switch
2" x 4" Full Height Stake Pockets	Epoxy Primer
Triple Acting Tailgate w/Chains	Black Polyurethane Paint Finish
Electric Brakes (2) Axles	Three Year Warranty
Spare Tire Mount	



**ROLLER TARP AVAILABLE
#ST30317C \$449**

MODEL	GVWR	CURB WEIGHT	PAYLOAD	BED LENGTH	BED WIDTH
P7CAM616LPHD	16100	4340	11760	16'	81.5"

STANDARD DUTY DECKOVER TRAILERS

Call for Pricing

Features

Steel Plated Tongue	Ring
E-Z Lube™ Axles (Oil Bath on 8 Ton Model)	12K Bolt-On Drop Leg Jack
Nev-R-Adjust Brakes (N/A on 8 Ton Model)	Pressure-Treated Pine Decking (Oak on 8 Ton)
Slipper Spring Suspension	8 Ton
Electric Brake Axles (2)	Silver Wheels
Super Ramp (Includes 5' Self Cleaning Beavertail)	D-Ring Tie Downs - 5/8" (6)
Spare Tire Mount	Zip Breakaway System
Stake Pockets and Rub Rail	Mud Flaps
LED Lights – Rubber Mounted	Sealed Wiring Harness
Aluminum Toolbox	7-Way SAE Plug
Adjustable 2-5/16" Ball Coupler or Pintle	Safety Chains
	Epoxy Primer
	Black Polyurethane Paint Finish
	Three Year Warranty



MODEL	GVWR	CURB WEIGHT	PAYLOAD	DECK LENGTH	DECK WIDTH
PSD0102025-BP176	17600	4190	14210	20' FLAT 5' B/T	102"
PSD0102225-BP176	17600	4190	14210	22' FLAT 5' B/T	102"

STANDARD DUTY DECKOVER TRAILERS

Call for Pricing

Features

Steel Plated Tongue	Silver Wheels
Slipper Spring Suspension	D-Ring Tie Downs (6) – 5/8"
Electric Brakes (2) Axles	Mud Flaps
Adjustable Spring Assisted Ramps	Zip Breakaway System
Spare Tire Mount	Sealed Wiring Harness
Stake Pockets and Rub Rail	7-Way SAE Plug
LED Lights – Rubber Mounted	Safety Chains
Aluminum Tool Box	Epoxy Primer
Adjustable 2-5/16" Ball Coupler or Pintle	Black Polyurethane Paint Finish
12K Bolt-on Drop Leg Jack	Three Year Warranty
P/T Pine Decking (Oak on 8 Ton)	



MODEL	GVWR	CURB WEIGHT	PAYLOAD	DECK LENGTH	DECK WIDTH
PSD0102184-BP176	15400	3720	12380	18' Flat 4' B/T	102"

SPLIT DECK TILT TRAILERS

Call for Pricing

Features

Slipper Spring Suspension	Aluminum Tool Box
Electric Brakes (2) Axles	P/T Pine Decking (Oak on 8 Ton)
Pallet Fork Carrier	Silver Wheels
Adjustable Hydraulic Cushion Cylinder	Banjo Eye Tie-Downs (2)
Diamond Plate Fenders	Zip Breakaway System
Spare Tire Mount	Sealed Wiring Harness
Bolt-On Drop Leg Jack	7-Way SAE Plug
LED Lights – Rubber Mounted	Safety Chains
Adjustable 2-5/16" Ball Coupler or Pintle	Epoxy Primer
D-Ring Tie Downs – 5/8" (8)	Black Polyurethane Paint Finish
Stake Pockets (6)	Three Year Warranty



MODEL	GVWR	CURB WEIGHT	PAYLOAD	DECK LENGTH	DECK WIDTH
P7CAM164STT	15400	3500	12600	4' Flat 16' Tilt	80.75"

CHANNEL FRAME WITH BEAVERTAIL EQUIPMENT HAULERS

Call for Pricing

Features

Slipper Spring Suspension (7 Ton Only)	Silver Wheels
Electric Brakes Axles (2)	Spare Tire Mount
5' Quick Release Angle Ramps	Non-Solar Breakaway
Diamond Plate Fenders	Sealed Wiring Harness
7K Bolt-on Drop Leg Jack	7-Way SAE Plug
LED Lights - Rubber Mounted	Safety Chains
Adjustable 2-5/16" Ball Coupler or Pintle	Epoxy Primer
D-Ring Tie Downs (6)	Black Polyurethane Paint Finish
Stake Pockets (10)	Three Year Warranty
Pressure Treated Pine Decking	



Options

12K Bolt-On Drop Leg Jack
(Standard on 7 and 8 Ton Models)

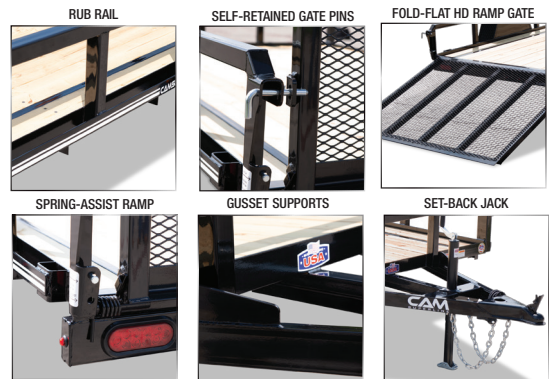
MODEL	GVWR	CURB WEIGHT	PAYLOAD	DECK LENGTH	DECK WIDTH
P7EC182C	14000	3201	10799	18'	81"

THE CAM EDGE UTILITY UTILITY TRAILERS

Call for Pricing

Features

LED Lights	Rub Rail
Sealed Harness	Radial Tires
4' Spring Assist Laydown Gate	Spare Tire Mount
Set Back Jack	Diamond Plate Fenders
Tube Uprights and Top Railing	Electric Brakes (Tandem Units)
Powder Coat	Enclosed Wiring
Bead Blasted Structure	



MODEL	GVWR	CURB WEIGHT	PAYLOAD	DECK LENGTH	DECK WIDTH
STP8218TAT-B-070	7000	2200	4800	18'	82"

SCOUT EQUIPMENT HAULERS

Call for Pricing

Features

EZ Lube Axles	Silver Wheels
NeV-R-Adjust Brakes Slipper Spring Suspension	Spare Tire Mount
Electric Brake Axles (2)	Non-Solar Breakaway
5' Quick Release Ramps	Sealed Wiring Harness
Diamond Plate Fenders	7-Way SAE Plug
7K Bolt-On Drop Leg Jack	Safety Chains
LED Lights - Rubber Mounted	Epoxy Primer
Adjustable 2-5/16" Ball Coupler or Pintle Ring	Polyurethane Paint Finish
Stake Pockets (6)	Three Year Warranty
Pressure-Treated Pine Decking	



MODEL	GVWR	CURB WEIGHT	PAYLOAD	DECK LENGTH	DECK WIDTH
P3EC14	7000	1550	5450	14'	63"



PLAISTOW, NH
603 382-5031
194 PLAISTOW RD
ROUTE 125 | PO BOX 487

TILTON, NH
603 286-4101
10 BITTERN LANE
PO BOX 289

CONWAY, NH
603 447-2696
38 TOWLE RD

SOMERSWORTH, NH
207 439-1777
355 NH-108

GORHAM, ME
207 839-4500
500 OSSIPPEE TRAIL
ROUTE 25

FAIRFIELD, ME
207 453-9363
40 SKOWHEGAN RD

N. READING, MA
781 938-8880
75 CONCORD ST

WEST SPRINGFIELD, MA
413 536-8901
1497 RIVERDALE ST

SOUTH WINDSOR, CT
860 500-5022
1249 JOHN FITCH BLVD.